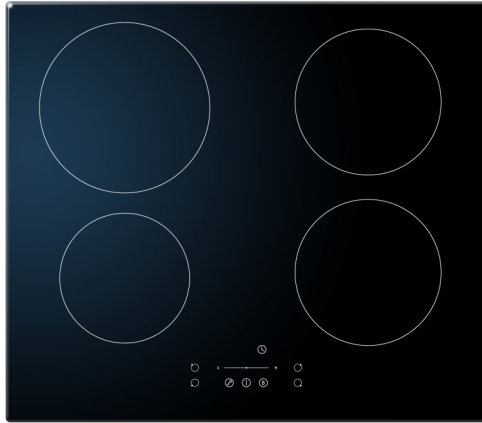


Induction Hob

IKP 60



Label not required



Item number	33058010000IKP60	Taric goods code	8516605000
EAN code	5704704019348	QTY in 40HQ	1240

Short Description

Induction heats using powerful magnetic coils and offers the best temperature control while being the fastest heat sources on the market.

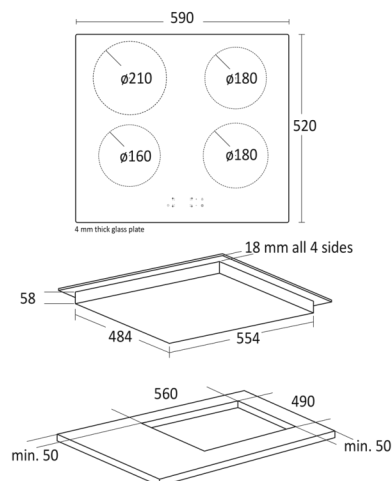
The plate is equipped with a timer function that allows you to set the time for each zone.

The glass plate has straight edges and is simple finger touch design and easy to keep clean. With the child lock, the plate can be locked so that little fingers do not turn on/off or change the settings of the zones. As an added safety feature, the zones automatically turn off when cookware is removed.

Key features

- Without frame, suitable for flat gluing in the tabletop
- 9 stage power setting with Boost
- Automatic pan detection
- Residual heat indicator
- Child lock
- 99 min timer
- Slider control
- Auto safety switch off

Measurement Drawings



Dimensions and weight

Product dimensions, HxWxD, mm	62 x 590 x 520
Packaging dimensions, HxWxD, mm	112 x 655 x 580
Cooking Zone - Rear left (∅, cm)	18
Cooking Zone - Front Left (∅, cm)	16
Cooking Zone - Rear Right (∅, cm)	18
Cooking Zone - Front Right (∅, cm)	21
Built-In dimensions, HxWxD, mm	58 x 570 x 500
Glass plate dim., HxWxD, mm	62 x 590 x 520
Gross- / Net weight, kg	10.1 / 8.73

Performance and consumption

Cooking Zone - Rear Left, Watt	2400/2600(B)
Cooking Zone - Front Left, Watt	1400/1500(B)
Cooking Zone - Rear Right, Watt	1800/2000(B)
Cooking Zone - Front Right, Watt	1800/2000(B)
Total Energy Consumption, kWh	7400

Installation and power

Voltage / hertz, V/hz	230/400V / 50hz
No. of electrical phases	2L+N
Watt / Ampere, W/A	7400 / 33.6
Peak power watt, W	7400
Length of Powercord, cm	120

Design and comfort

Number of cooking zones	4
Stop & Go	No
Booster	Yes
Facette design, 4 sides	No
Child safety	Yes
Slider control	Yes
Timer	Yes

Colour and material

Outside colour	Black
----------------	-------

Features

Function light	Red
Controls	Slider
Residual Heat Indicator	Yes

scandomestic

Scandomestic A/S . Linåvej 20 . DK-8600 Silkeborg . Tel.: +45 7242 5571 . www.scandomestic.dk